

PBS-MWSK



Microwave Blind Spot Sensor System

Installation/User Manual



ECHOMASTER
PRO



Introduction

Congratulations on purchasing the EchoMaster Pro Microwave Blind Spot Sensor system. This detection system is designed for you and your vehicle's safety.

EchoMaster® is strictly a driver assistance device, and should not be relied upon as a substitute for safe driving practices. Use common sense when driving and always follow recommended safe driving guidelines from your local state and county Department of Motor Vehicles. To help prevent accidents, always use caution, looking visually to ensure your path is clear. The owner shall not be entitled to recover from EchoMaster, its successors or assignees, incidental and consequential damages, such as personal injury, loss of income, loss of time, loss of profits, loss of vehicle use or property damage.

No employee, agent or representative of EchoMaster or authorized dealer may modify, alter or extend this warranty in any way. This warranty gives you specific legal rights. You may also have other rights under this warranty which may vary from state to state.

Note: Under no circumstances should you attempt to open the control box or any other component. Doing so will void all manufacturer's warranties.

Box Contents

- ▶ 2 Sensors
- ▶ 2 LED indicators
- ▶ Hole Saw
- ▶ Control Module
- ▶ Speaker with Volume Control
- ▶ Power Harness
- ▶ Wiring harnesses
- ▶ Install Manual
- ▶ Warranty Card

Key Features

- ▶ Accurate and responsive microwave sensors
- ▶ Audible and visual alerts
- ▶ Simple installation, no drilling holes into the bumper
- ▶ Universal for cars and SUVs (not to be used with metal bumpers)
- ▶ Sensor detection range is approx 50ft
- ▶ Reliable in bad weather

PBS-MWSK

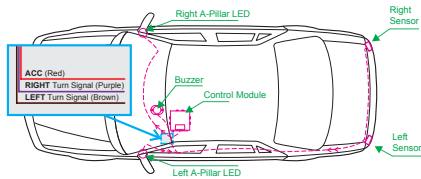
Microwave Blind Spot Sensor System



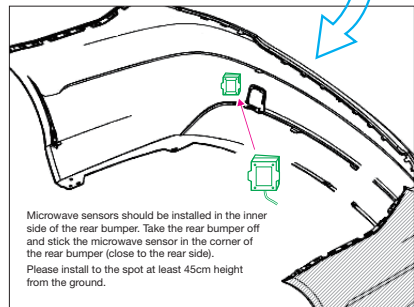
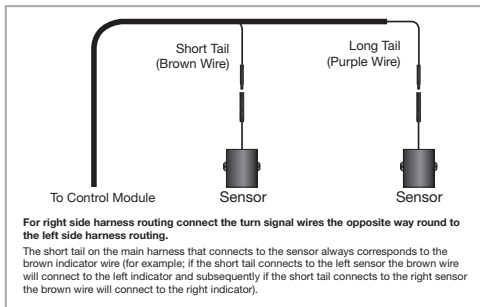
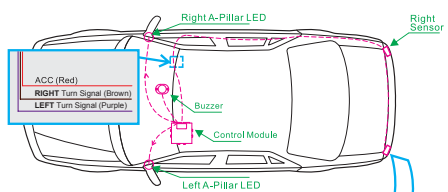
Fitting Instructions

Installing the Sensors

Wiring for Left Side Harness Routing



Wiring for Right Side Harness Routing



Remove the bumper and locate where to mount the sensors. The locations should be close to the corners on the inner rear side and at least 18 in (45 cm) from the ground. Clean the surface prior to mounting the sensors. Test the sensors before installing them onto the bumper.

Check the labels on top of the sensors and the 3M sticker base to distinguish left and right sensors. When mounting the sensors, ensure that the wire side is facing downward. Keep the sensors symmetrical on both sides.

Note:

Adhesives can be used when installing the sensor base to the rear bumper, but please use caution when applying as to not spill adhesive on the surface of the sensor.

After sensors are mounted on the bumper, re-install the bumper. Route the sensor cables into the trunk or rear passenger compartment utilizing a factory grommet.

Connect to the extension harness and route both extension harnesses to the front of the vehicle. Connect to main control module.

Fitting Instructions (continued)

Installing the LED indicators and Speaker

Remove A-pillar covers. Find a suitable mounting location where there are no obstructions behind the pillar panel. Do NOT drill into the pillar cover prior to removing it and checking for obstructions.

Using the supplied hole saw, drill the hole into the pillar cover. Insert the LED indicator and ensure that it snaps into place and is in the proper orientation. Connect to the extensions and route down the A-pillar to the main control module. Re-install the A-pillar covers.

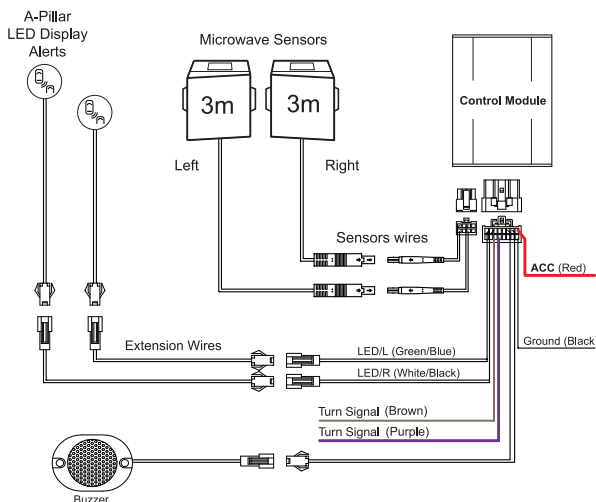
Mount the speaker under the dash (where still accessible for volume control) and route the cable to connect to the main harness.

Powering the system

From the main harness, connect the Left Turn trigger wire and the Right Turn trigger wire to the appropriate turn signal bulbs.

Red wire goes to ACC and black wire goes to Ground (can be found in either of the kick panels or a 12V outlet) to power the control module.

Wiring Diagram



PBS-MWSK

Microwave Blind Spot Sensor System



Operating Guide

System will become engaged once vehicle is running.

The microwave sensor system will only detect moving objects within the blind spot of your vehicle. Only when the speed of the moving object is greater than your current speed, the system will detect and alert the driver.

Once an object is detected, the system will alert the driver via visual alert.

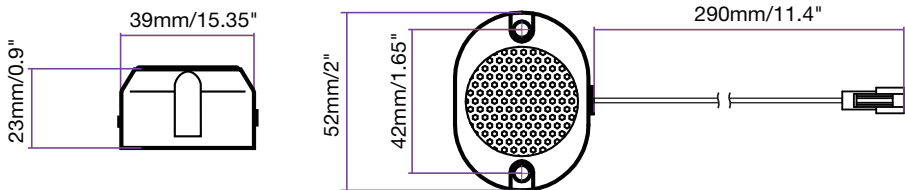
If the turn signal is activated while an object is detected, the system will alert the driver via visual and audible alert.

Note

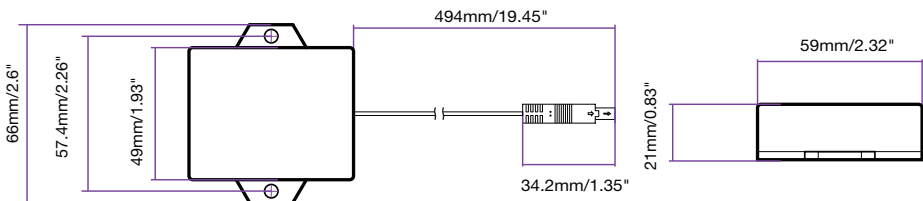
Performance may be affected by extreme weather conditions (such as rainstorm and blizzard).

Dimensions (mm/in)

Buzzer



Microwave Sensors



Installation Guide

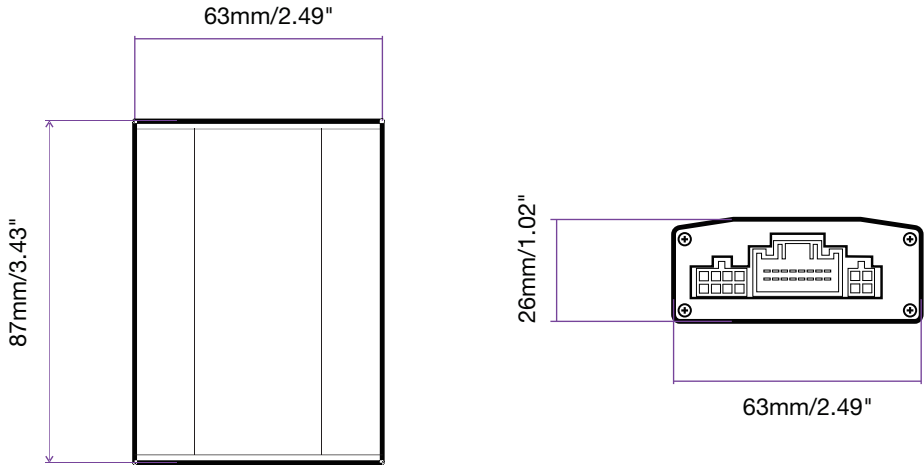


PBS-MWSK

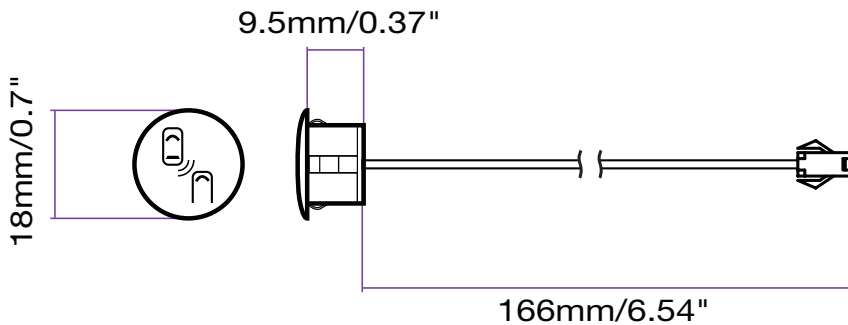
Microwave Blind Spot Sensor System

Dimensions (mm/in)

Control Module



LED Indicator



PBS-MWSK

Microwave Blind Spot Sensor System



Specifications

PBS-MWSK	
Operating Voltage	12V DC
Current Consumption	200mA
Power Consumption	2.4W
Operating Temperature Range	-40° - +85°C
Detection Range	50ft (15m)



15500 Lightwave Drive, Suite 202, Clearwater, Florida 33760
Woolmer Way, Bordon, Hampshire, United Kingdom

email - support@aampglobal.com (US)
tel - 1-800-477-2267 (East Coast) - 1-888-883-2790 (West Coast)

email - technical.eu@aampglobal.com (Europe)
tel - +44(0)1420 487110 (sales) - +44(0)1420 470618 (technical)



EchoMaster is a Power Brand of AAMP Global.
EchoMaster.com

REV. 121516